

DEXTER

by **SCHLAGE**

Residential Lock Solutions



Product Catalog



The Dexter Advantage



▶ **Security**

Dexter deadbolts and handlesets provide dependable security that exceeds all ANSI/BHMA Grade 3 standards.

▶ **Quality**

Schlage locks, recognized for decades as the market leader and most preferred locks in the industry, have the reputation of providing the best in quality and reliability. This reputation lives on through the Dexter by Schlage product lines as they are produced to the same strict specifications of Schlage Lock and Ives.

▶ **Style**

Dexter product designs and finishes blend with any decor and can be complimented by Schlage and Ives product to enhance styling.

▶ **Convenience**

Dexter locks can be keyed to Schlage locks for one-key convenience.

Dexter locks also work with Schlage's Residential Construction Keying Systems.

Dexter products are designed for quick and trouble-free installation.

Dexter, Schlage and Ives products provide consistent finish appearance.

▶ **Schlage® Building Partnerships**

Builder support programs are available to companies with 15 or more starts per year.

Please contact your Schlage, Dexter by Schlage or Ives® sales representative for more information.



Visual Pack



Box Pack

Tables of Contents

The Dexter Advantage 1

Deadbolts 3

Handlesets 5

Levers 7

Knobs 9

Knobs	605	609	619	620	625	630
Byron	■	■				■
Corona	■	■	■	■	■	■
Stratus	■		■			
Levers						
Dover	■	■				■
LaSalle	■	■	■	■	■	■
Marin	■	■	■	■	■	■
Torino	■	■	■	■	■	■

FINISH CHART



605, US3
Bright Brass



609, US5
Antique Brass



619, US15
Satin Nickel



620, US15A
Antique Pewter



625, US26
Bright Chrome



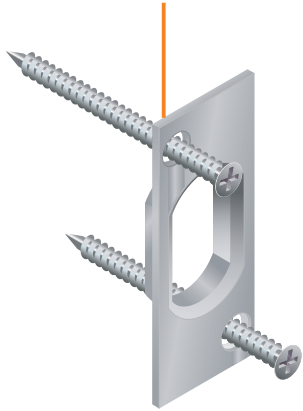
630, US32D
Satin Stainless Steel



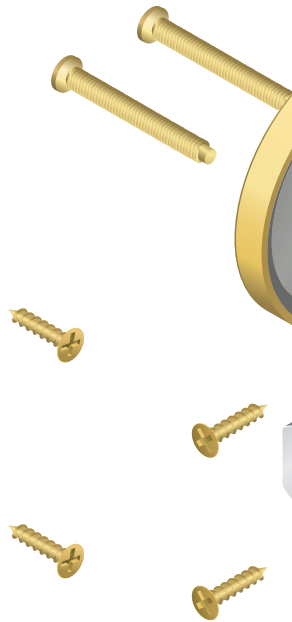


JD Series Deadbolts

Door Frame Reinforcer
Protects Against Kick-in Attacks

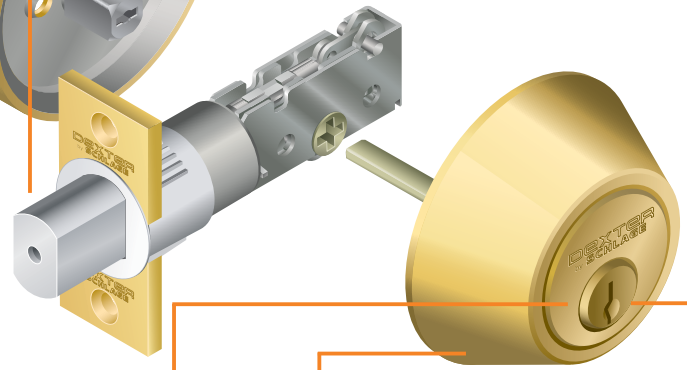


Drill-Resistant Metal Faceplate To
Protect Against Drill Attacks



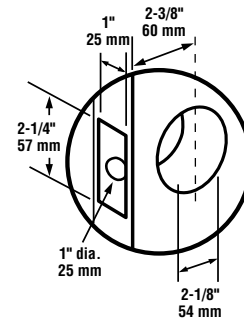
1" Deadbolt with Hardened Steel
Core Resists Sawing and Kick-In Attacks

Brass Cylinder Plug and Pins for
Better Appearance And Durability



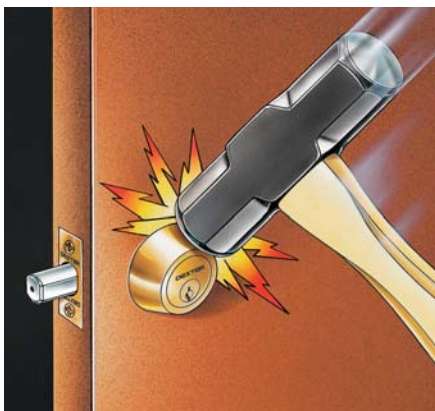
Free Spinning Metal Cylinder Collar
Resists Wrenching, Prying and Hammer Attacks

Door Preparation



SECURITY

➔ Dexter by Schlage deadbolts provide dependable security that exceeds all ANSI/BHMA Grade 3 standards.



Resists Hammer Attack



Resists Wrenching Attacks



Resists Kick-in Attacks



Double Cylinder Deadbolt in Bright Brass, JD62 605



Single Cylinder Deadbolt in Stainless Steel, JD60 630



Keyed 1-Side
(JD60)

JD60 Single Cylinder Deadbolt
Deadbolt thrown or retracted by a key from outside or by inside turn unit. Bolt automatically deadlocks when fully thrown.



Keyed 2-Sides
(JD62)

JD62 Double Cylinder Deadbolt*
Deadbolt thrown or retracted by a key from either side. Bolt automatically deadlocks when fully thrown.



1-Sided Deadbolt
(JD80)

JD80 One Sided Deadbolt
Deadbolt thrown or retracted from interior side only.



One Sided Deadbolt in Bright Brass, JD80 605

* Caution: Double cylinder locks on residences and any door in any structure which is used for egress are a safety hazard in times of emergency and their use is not recommended.

SPECIFICATIONS

- **Applications:** Single family and multi-family doors.
- **Certifications:** ANSI A156.5, 2001 Grade 3.
- **Exposed Trim:** Wrought brass or bronze.
- **Keying:** Schlage C keyway with two brass keys. Locks are keyed 5-Pin.
- **Door Range:** 1-3/8" to 1-3/4" (35mm - 44mm) standard.
- **Backset:** Universal latch standard, fits either 2-3/8" (60mm) or 2-3/4" (70mm) backsets.
- **Warranty:** Lifetime mechanical warranty, 5-year finish warranty.
- **UL Listing:** Single Cylinder deadbolt product available with UL Listing - Box Pack only.

LATCHES & STRIKES

- **Latches:** 1" (25mm) housing diameter, 1" (25mm) throw. Box Pack - Dual Option adjustable bolt with round corner and square face plates standard. Optional drive-in adjustable bolt. Visual Pack - Triple Option adjustable bolt with round corner, square corner and drive in faceplates standard.
- **Strikes:** 1-5/8" x 2-1/4" (41mm x 57mm) square strike plate and strike frame reinforcer standard. Optional strikes: square full lip, radius full lip, 1" x 2-1/4" (25mm x 57mm) radius deadbolt strike, 1-1/4" x 3-5/8" (32mm x 92mm) 4-hole round corner deadbolt strike.

FINISH CHART



605, US3
Bright Brass



609, US5
Antique Brass



619, US15
Satin Nickel



620, US15A
Antique Pewter



625, US26
Bright Chrome



630, US32D
Satin Stainless Steel

Notes: 1. Not all products/finishes available in Visual Pack. Please contact Customer Service to check availability.
2. 609/605 split finish available in box pack only.

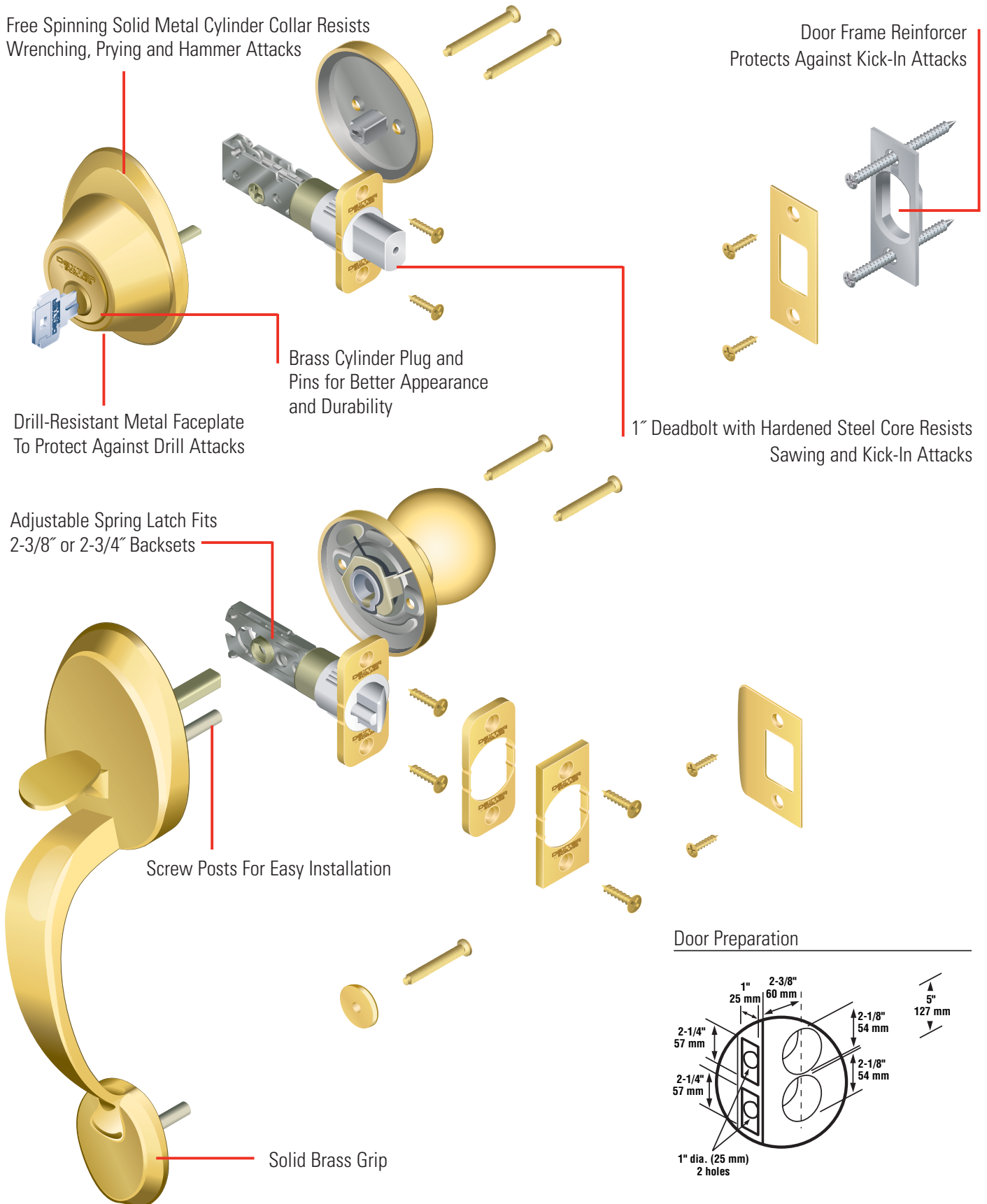




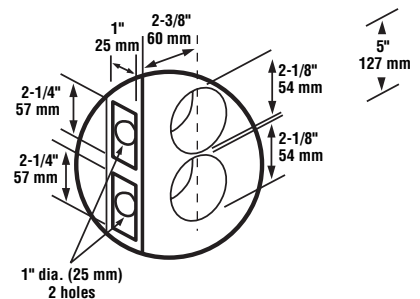
JH Series Handlesets

Free Spinning Solid Metal Cylinder Collar Resists Wrenching, Prying and Hammer Attacks

Door Frame Reinforcer Protects Against Kick-In Attacks



Door Preparation





Keyed 1-Side (JH60)

JH60 - Single Cylinder Handleset

Deadbolt thrown or retracted by a key from outside or by inside turn unit. Latch retracted by thumbpiece from outside or by inside knob/lever.



Keyed 1-Side (JH58)

JH58 - Outside Handleset

Outside grip and deadbolt trim of JH60.



Keyed 1-Side (JH59)

JH59 - Inside Handleset

Inside trim, deadbolt, latch, screws and strikes of JH60.



Non-Keyed (JH193)

JH193 - Outside & Inside Dummy Trim

For use as door pull or as dummy trim on inactive leaf of pair of doors. Fixed thumbpiece and inside knob/lever. Dummy cylinder with inside plate.



Non-Keyed (JT58)

JT58 - Handleset Trim

Outside decorative trim to be installed with J54 lockset.



Barcelona Handleset in Bright Brass, JH60 BAR 605



Paris Handleset in Satin Nickel, JH60 PAR 619



Cirrus Handleset Trim in Bright Brass JT58 CIR 605

SPECIFICATIONS

- **Applications:** Residential single and multi-family doors.
- **Certifications:** ANSI A156.5, 2001, Grade 3.
- **Exposed Trim:** Handlesets are solid forged brass; wrought brass trim rings.
- **Keying:** Schlage C keyway with three brass keys. Locks are keyed 5-pin.
- **Door Range:** 1-3/8" to 1-3/4" (35mm - 44mm) standard.
- **Backset:** Universal latch standard, fits either 2-3/8" (60mm) or 2-3/4" (70mm) backsets.
- **Warranty:** Lifetime mechanical warranty, 5 year finish warranty.
- **UL Listing:** Single Cylinder deadbolt/handleset available with UL Listing - Box pack only.

LATCHES & STRIKES

- **Deadbolt Latches:** 1" (25mm) housing diameter, 1" (25mm) throw. Box Pack - Dual Option adjustable bolt with 1" x 2-1/4" (25mm x 57mm) round corner and square corner faceplates standard. Optional drive-in adjustable bolt. Visual Pack - Triple Option adjustable bolt with 1" x 2-1/4" (25mm x 57mm) round corner, square corner and drive-in faceplates standard.
- **Spring Latches:** 1" (25mm) housing diameter, 1/2" (15mm) throw. Box Pack - Dual Option adjustable latch with 1" x 2-1/4" (25mm x 57mm) round corner and square corner faceplates standard. Optional drive-in adjustable latch. Visual Pack - Triple Option adjustable latch with 1" x 2-1/4" (25mm x 57mm) round corner, square corner and drive-in faceplates standard.
- **Deadbolt Strikes:** 1-5/8" x 2-1/4" (41mm x 57mm) square strike plate and strike frame reinforcer standard. Optional strikes: square full lip, radius full lip, 1" x 2-1/4" (25mm x 57mm) radius deadbolt strike, 1-1/4" x 3-5/8" (32mm x 92mm) 4-hole round corner deadbolt strike.
- **Latch Strikes:** 1-5/8" x 2-1/4" (41mm x 57mm) radius full lip standard. Optional Strikes: Square full lip, square corner.

FINISH CHART



605, US3 Bright Brass



609, US5 Antique Brass



619, US15 Satin Nickel



620, US15A Antique Pewter



625, US26 Bright Chrome



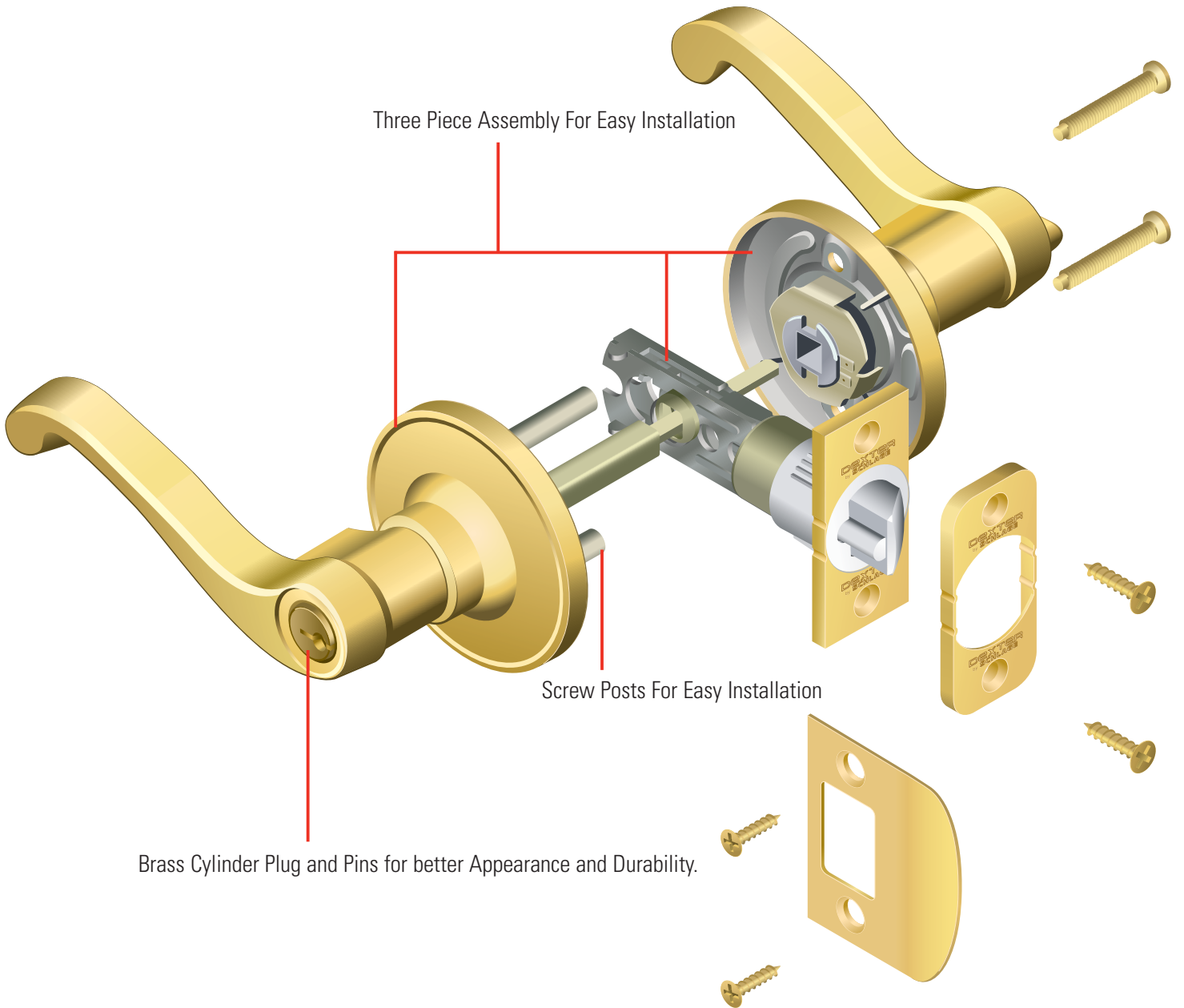
630, US32D Satin Stainless Steel

Notes: 1. Not all products/finishes available in Visual Pack. Please contact Customer Service to check availability.
2. JH60 available in Visual Pack only.





J-Series Levers

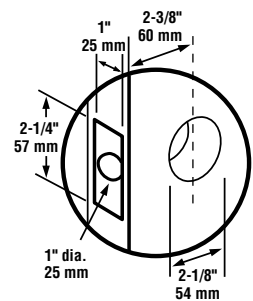


Three Piece Assembly For Easy Installation

Screw Posts For Easy Installation

Brass Cylinder Plug and Pins for better Appearance and Durability.

Door Preparations



STYLE

➔ Dexter by Schlage product designs and finishes blend with any decor and can be complimented by Schlage and Ives product to enhance styling.



Dover Lever in Bright Brass, Hall/Closet, J10 DOV 605



LaSalle Lever in Antique Brass, Keyed Entry, J54 LAS 609



Keyed Entry
(J54)

J54 - Keyed Entry
Turn/Push-Button locking. Pushing or turning button on interior lever locks outside lever requiring use of key or turning/releasing turn/push button.



Bed/Bath
(J40)

J40 - Bed/Bath
Turn/Push-Button locking. Turning inside button releases lever. Can be opened from outside using outside turn mechanism.



Hall/Closet
(J10)

J10 - Hall/Closet
Both levers always unlocked.



Dummy
(J170)

J170 - Dummy
Dummy trim for one side on door used for door pull or matching inactive trim.



Marin Lever in Bright Brass, Bed/Bath, J40 MAR 605



Torino Lever in Satin Nickel, Hall/Closet, J10 TOR 619

SPECIFICATIONS

- **Applications:** Single family and multi-family doors.
- **Certifications:** ANSI A156.2, 1996, Series 4000 Grade 3.
- **Exposed Trim:** Wrought brass or bronze.
Levers are zinc based plated to match finishes indicated.
- **Keying:** 5-Pin tumbler Schlage C keyway with two brass keys.
- **Door Range:** 1-3/8" to 1-3/4" (35mm - 44mm) standard.
- **Backset:** Universal latch standard, fits either 2-3/8" (60mm) or 2-3/4" (70mm) backsets.
- **Warranty:** Lifetime mechanical warranty, 5 year finish warranty.
- **UL Listing:** J10, J40, J54 products available with UL Listing - Box pack only.

Note: Marin Lever returns to within 1/2" of door surface.

LATCHES & STRIKES

- **Latches:** 1" (25mm) housing diameter, 1/2" (15mm) throw.
Box Pack - Dual Option adjustable latch with 1" x 2-1/4" (25mm x 57mm) round corner and square corner faceplates standard. Optional drive-in adjustable latch.
Visual Pack - Triple Option adjustable latch with 1" x 2-1/4" (25mm x 57mm) round corner, square corner and drive-in faceplates standard.
- **Strikes:** 1-5/8" x 2-1/4" (41mm x 57mm) radius full lip standard. Optional Strikes: Square full lip, square corner.

FINISH CHART



605, US3
Bright Brass



609, US5
Antique Brass



619, US15
Satin Nickel



620, US15A
Antique Pewter



625, US26
Bright Chrome



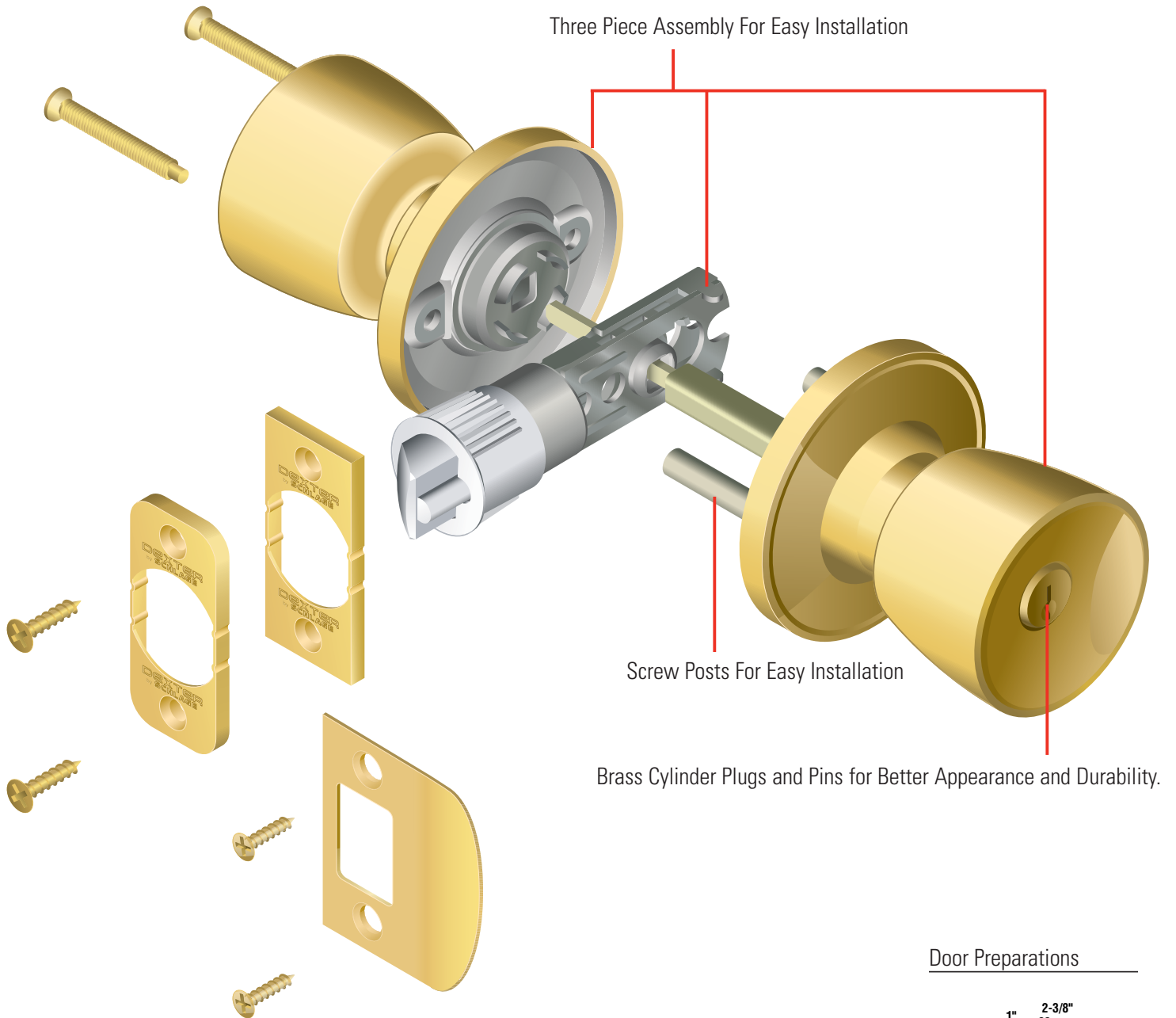
630, US32D
Satin Stainless Steel

- Notes:**
1. Not all products/finishes available in Visual Pack. Please contact Customer Service to check availability.
 2. Dover lever not available in 619, 620, 625.
 3. Split Finishes available in Box Pack only.

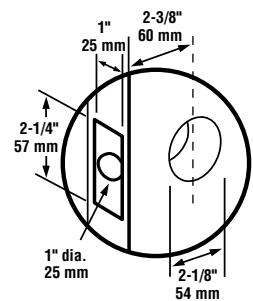




J-Series Knobs



Door Preparations



CONVENIENCE

➔ Dexter by Schlage locks can be keyed to Schlage locks for one key convenience and work with Schlage's Residential Construction Keying Systems.



Corona Knob in Stainless Steel, Keyed Entry, J54 CNA 630



Byron Knob in Antique Brass, Keyed Entry, J54 BYR 609



Keyed Entry
(J54)

J54 - Keyed Entry
Turn/Push-Button locking. Pushing or turning button on interior knob locks outside knob requiring use of key or turning/releasing turn/push button.



Bed/Bath
(J40)

J40 - Bed/Bath
Turn/Push-Button locking. Turning inside button releases knob. Can be opened from outside using outside turn mechanism.



Hall/Closet
(J10)

J10 - Hall/Closet
Both knobs always unlocked.



Dummy
(J170)

J170 - Dummy
Dummy trim for one side on door used for door pull or matching inactive trim.



Stratus Knob in Bright Brass, Keyed Entry, J54 STR 605

SPECIFICATIONS

- **Applications:** Single family and multi-family doors.
- **Certifications:** ANSI A156.2, 1996, Series 4000 Grade 3.
- **Exposed Trim:** Wrought brass or bronze.
- **Keying:** 5-Pin tumbler Schlage C keyway with two brass keys.
- **Door Range:** 1-3/8" to 1-3/4" (35mm - 44mm) standard.
- **Backset:** Universal latch standard, fits either 2-3/8" (60mm) or 2-3/4" (70mm) backsets.
- **Warranty:** Lifetime mechanical warranty, 5 year finish warranty.
- **UL Listing:** J10, J40, J54 products available with UL Listing - Box pack only.

LATCHES & STRIKES

- **Latches:** 1" (25mm) housing diameter, 1/2" (15mm) throw.
Box Pack - Dual Option adjustable latch with 1" x 2-1/4" (25mm x 57mm) round corner and square corner faceplates standard. Optional drive-in adjustable latch.
Visual Pack - Triple Option adjustable latch with 1" x 2-1/4" (25mm x 57mm) round corner, square corner and drive-in faceplates standard.
- **Strikes:** 1-5/8" x 2-1/4" (41mm x 57mm) radius full lip standard. Optional Strikes: Square full lip, square corner.

FINISH CHART



605, US3
Bright Brass



609, US5
Antique Brass



619, US15
Satin Nickel



620, US15A
Antique Pewter



625, US26
Bright Chrome



630, US32D
Satin Stainless Steel

- Notes:**
1. Not all products/finishes available in Visual Pack. Please contact Customer Service to check availability.
 2. Byron knob not available in 619, 620, 625.
 3. Split finishes available in box pack only.





Schlage is a brand of Ingersoll Rand Security Technologies (IRST), a leading global provider of products and services that make environments safe, secure and productive. In addition to mechanical locks and architectural hardware, IRST manufactures and markets numerous market-leading products around the globe, including: electronic and biometric access-control systems; portable security; door closers, exit devices; and steel doors and frames.

800.847.8688

www.ingersollrand.com